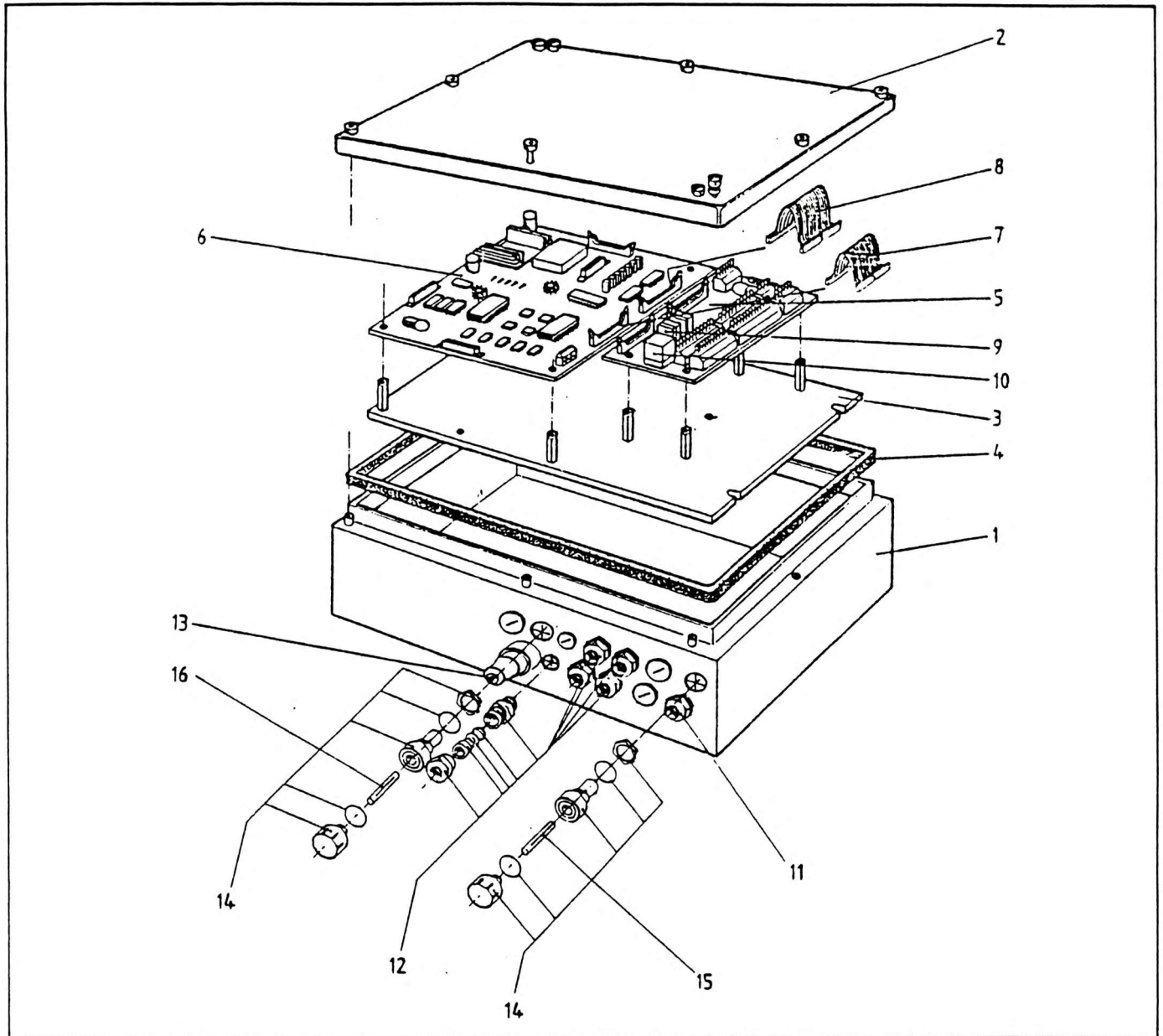


CENTRAL UNIT



NO.	PART NO.	QTY.	DESCRIPTION	NO.	PART NO.	QTY.	DESCRIPTION
-	7-352-990098	1	Central Unit Complete	12	9-333-101599	5	Cable Gland
1	9-333-101662	1	Housing Complete With Mounting Brackets and Cable Glands	13	9-333-101665	1	Override Key Switch
2	9-333-101589	1	Cover	14	9-333-101666	2	Fuse Holder
3	9-333-101590	1	Mounting Plate	15	9-333-101667	1	Fuse 2 Amp
4	9-333-101591	1	Sealing	16	9-333-101668	1	Fuse 10 Amp
5	9-333-101592	1	Terminal Board				
6	9-333-990005	1	Main Board				
7	9-333-101594	1	Connecting Cable 26 Core				
8	9-333-101595	1	Connecting Cable 40 Core				
9	9-333-990003	9	Relay				
10	9-333-990004	1	Shut Off Relay				
11	9-333-101579	1	Cable Gland				

7-352-990098
Issue No. 00